



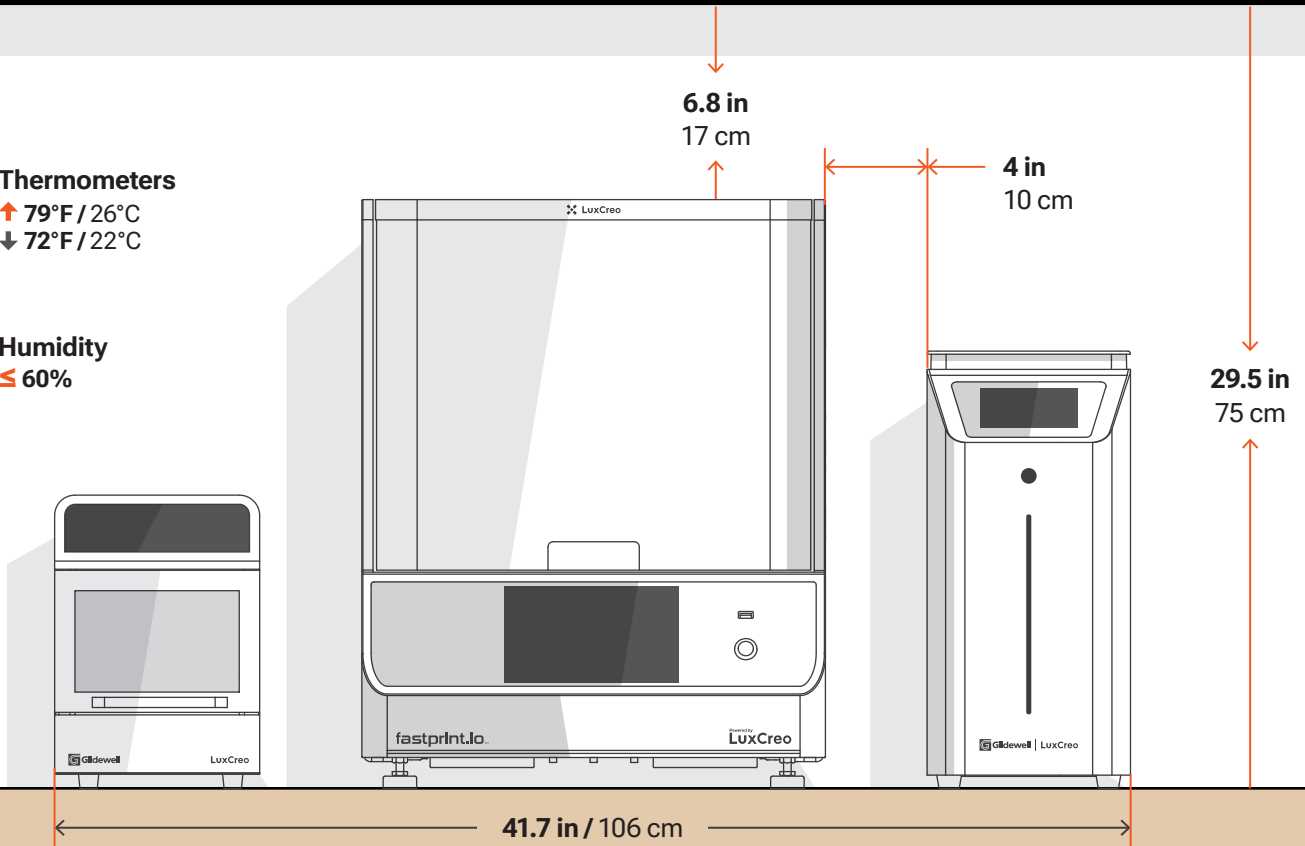
**Thermometers**

↑ 79°F / 26°C  
↓ 72°F / 22°C



**Humidity**

≤ 60%



- ✓ Level surface
- ✓ Well ventilated area
- ✓ Within recommended temperature and humidity
- ✓ Away from direct sunlight
- ✓ Properly spaced from each other
- ✓ Properly spaced from other equipment

# fastprint.io™ Dental Solution Workspace Requirements

## Best Practices

Situate the fastprint.io 3D printer in a well-ventilated area on a leveled surface. Keep it away from extreme temperatures, windows, bright UV light sources, and direct sunlight. Do not place anything on top of the fastprint.io 3D printer.

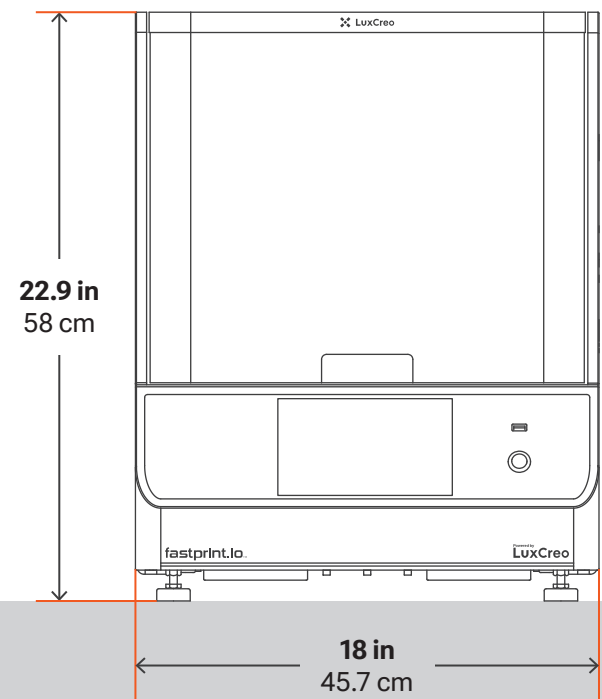
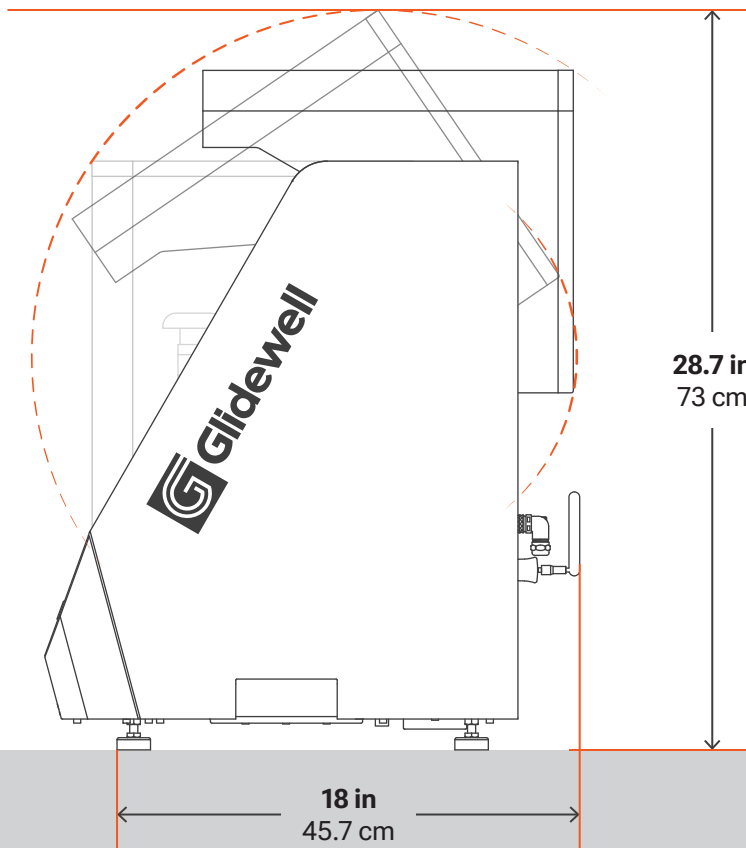
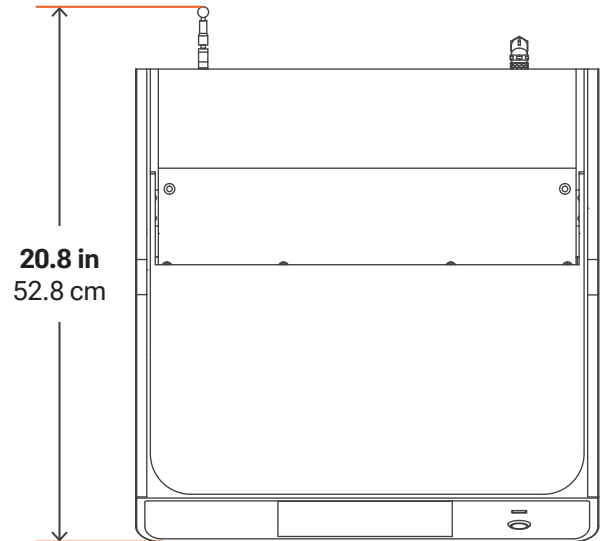
## Suggested Operating Environment

- **Temperature**  
72-79°F (22-26°C)
- **Humidity (RH)**  
≤60%
- **Power Requirement**  
Adapter Input Voltage: 100-240 VAC, 50/60 Hz  
Power Supply: 19Vdc/13.15A
- **3D Printer Uncrated Weight**  
31.5kg (69.4 lbs)



## Critical!

Clearance for easy opening.  
Avoid sharing multiple electronics on the same circuit.



## Best Practices

Situate iLuxWash Dental in a well-ventilated area on a leveled surface. Keep it away from extreme temperatures, windows, bright UV light sources, and direct sunlight. Do not place anything on top of iLuxWash Dental.

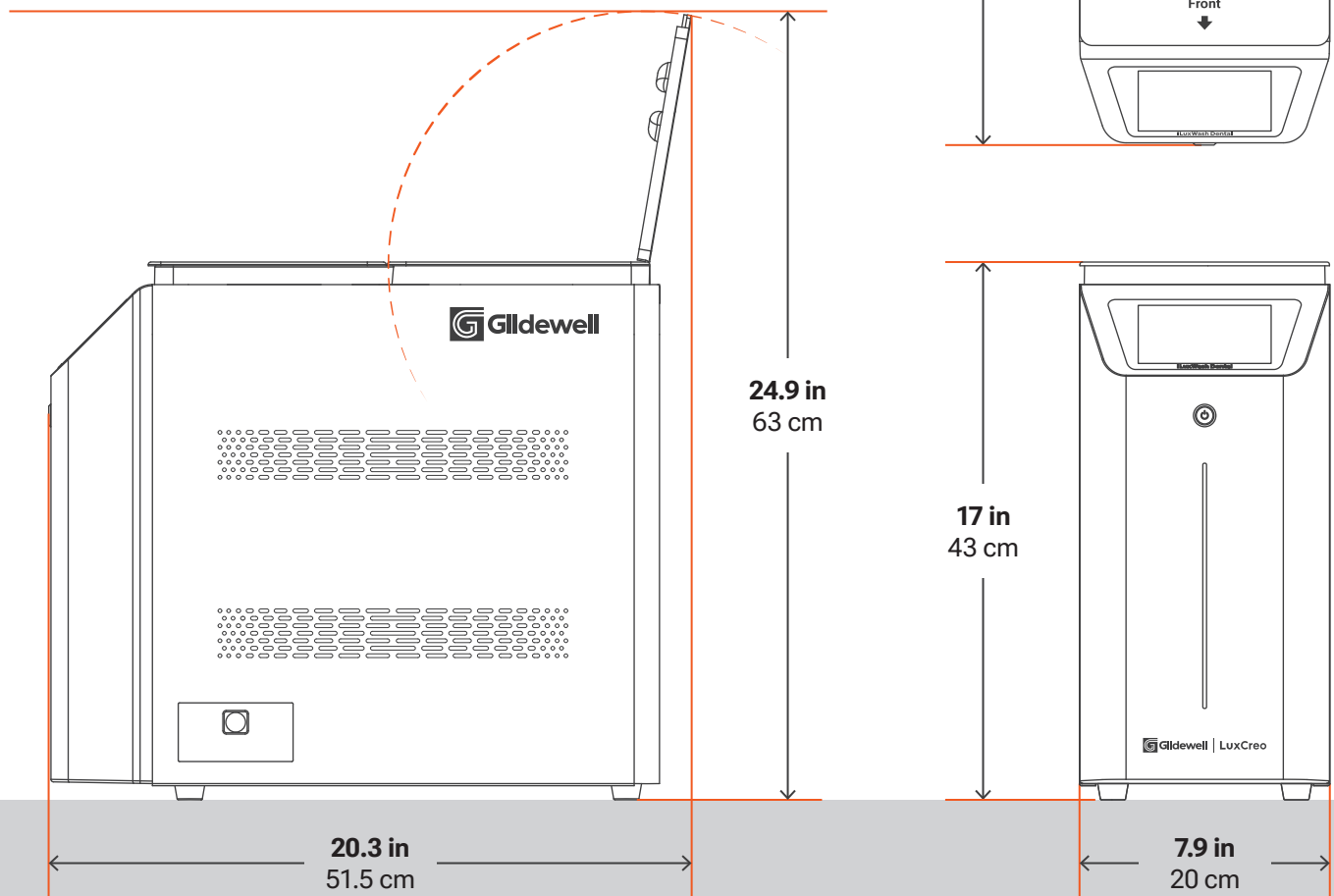
## Suggested Operating Environment

- **Temperature**  
72-90°F (22-32°C)
- **Humidity (RH)**  
<80%
- **Power Requirement**  
AC Input: 100-120 VAC, 50/60 Hz, 150W  
200-240 VAC, 50/60 Hz, 150W
- **Uncrated Weight**  
17.5 kg (38.6 lbs)



# Critical!

Clearance for easy opening.



# iLuxWash Dental

## Install Guide

## Best Practices

Situate iLuxCure Dental in a well-ventilated area on a leveled surface. Keep it away from extreme temperatures, windows, bright UV light sources, and direct sunlight.

## Suggested Operating Environment

- **Temperature**  
72-90°F (22-32°C)
- **Humidity (RH)**  
<80%
- **Power Requirement**  
100~240 VAC, 50/60 Hz, 225 W
- **Uncrated Weight**  
9.5 kg (20.9 lbs)



# Critical!

Clearance for easy opening.

